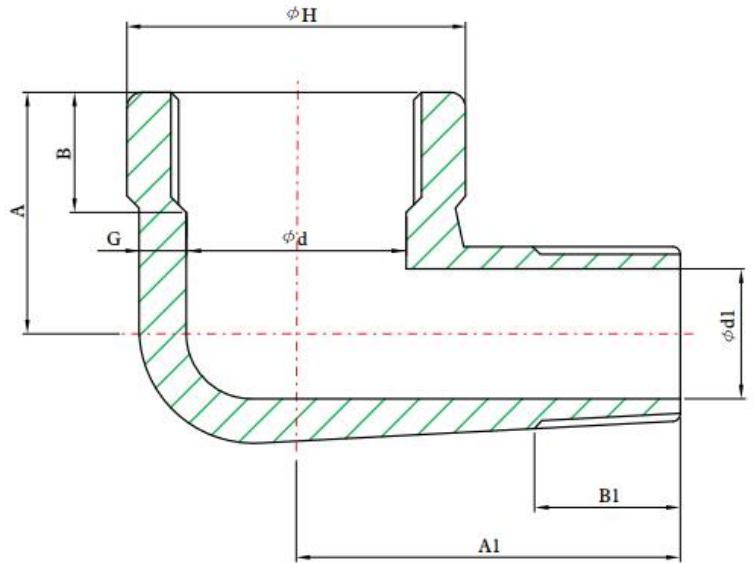




Codo Niple



DIMENSIONES

3000Lbs

unit : inch

Nom. / Pipe Size	H	A	A1	d	d1	G (Min)	B (Min)	B1 (Min)
1/4	0.984	0.874	1.248	0.441	0.276	0.130	0.315	0.406
3/8	1.299	1.000	1.500	0.571	0.354	0.138	0.354	0.409
1/2	1.496	1.126	1.622	0.618	0.512	0.161	0.433	0.535
3/4	1.811	1.374	1.874	0.823	0.630	0.170	0.492	0.543
1	2.205	1.752	2.268	1.047	0.787	0.196	0.571	0.681
1-1/4	2.441	2.000	2.626	1.378	1.102	0.208	0.669	0.709
1-1/2	2.953	2.126	2.811	1.610	1.181	0.219	0.709	0.724
2	3.307	2.500	3.307	2.067	1.575	0.281	0.748	0.760

6000Lbs

unit : inch

Nom. / Pipe Size	H	A	A1	d	d1	G (Min)	B (Min)	B1 (Min)
1/4	1.299	1.000	1.500	0.441	0.118	0.260	0.315	0.406
3/8	1.496	1.126	1.622	0.571	0.185	0.275	0.354	0.409
1/2	1.811	1.374	1.874	0.618	0.248	0.321	0.433	0.535
3/4	2.205	1.752	2.252	0.823	0.437	0.336	0.492	0.543
1	2.441	2.000	2.626	1.047	0.598	0.391	0.571	0.681
1-1/4	2.441	2.000	2.626	1.378	1.102	0.208	0.669	0.709
1-1/2	3.307	2.500	3.307	1.610	1.098	0.436	0.709	0.724