

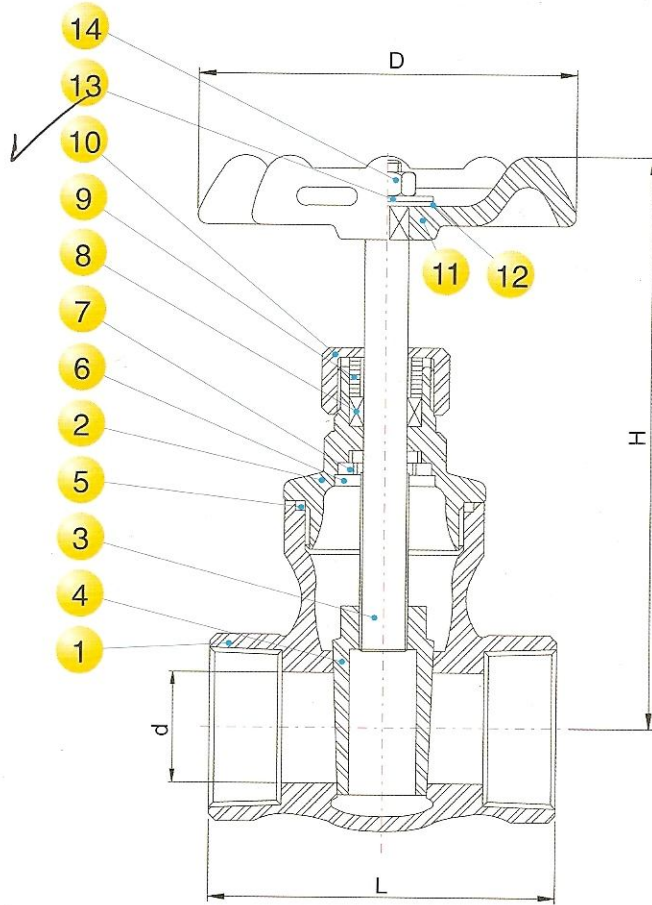


DESIGN FEATURES:

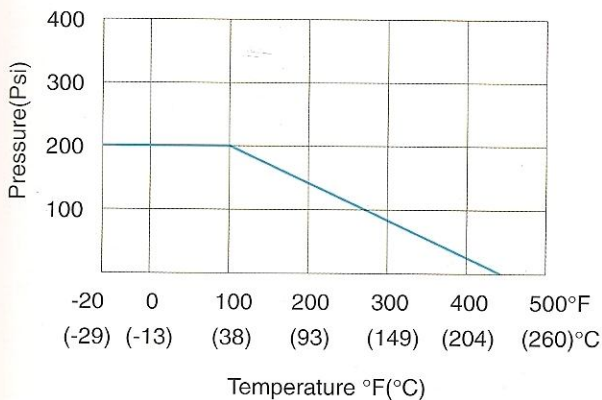
- PRESSURE RATING: 200 PSI WOG (NON-SHOCK)
- STEAM RATING: 150 PSI WSP
- INVESTMENT CAST BODY & BONNET
- NON-RISING STEM
- SOLID WEDGE DISC

MATERIALS LIST

NO.	PART NAME	MATERIAL	Q'TY
1	BODY	ASTM A351 Gr.CF8M	1
2	BONNET	ASTM A351 Gr.CF8M	1
3	STEM	ASTM A276 Gr.316	1
4	DISC	ASTM A351 Gr.CF8M	1
5	GASKET	PTFE	1
6	STOP RING	SS304	1
7	STEM HOLDER	SS316	1
8	STEM PACKING	PTFE	1
9	GLAND	SS304	1
10	GLAND NUT	SS316	1
11	HANDLEWHEEL	SS400	1
12	NAME PLATE	ALUMINUM	1
13	HANDLEWHEEL WASHER	SS304	1
14	HANDLEWHEEL NUT	SS304	1



PRESSURE TEMPERATURE RATINGS (BODY)



DIMENSIONS

SIZE		d		L		H		D		Cv Factor
inch	mm	inch	mm	inch	mm	inch	mm	inch	mm	
1/2"	15	0.63	16.1	2.24	57.0	3.88	98.6	2.76	70.0	19
3/4"	20	0.80	20.3	2.38	60.5	4.06	103.0	2.76	70.0	37
1"	25	1.02	26.0	2.64	67.0	4.53	115.0	3.01	76.5	64
1 1/4"	32	1.25	31.8	2.99	76.0	5.04	128.0	3.01	76.5	103
1 1/2"	40	1.57	40.0	3.43	87.0	6.81	173.0	4.07	103.5	143
2"	50	1.98	50.3	3.74	95.0	7.44	189.0	4.76	121.0	360