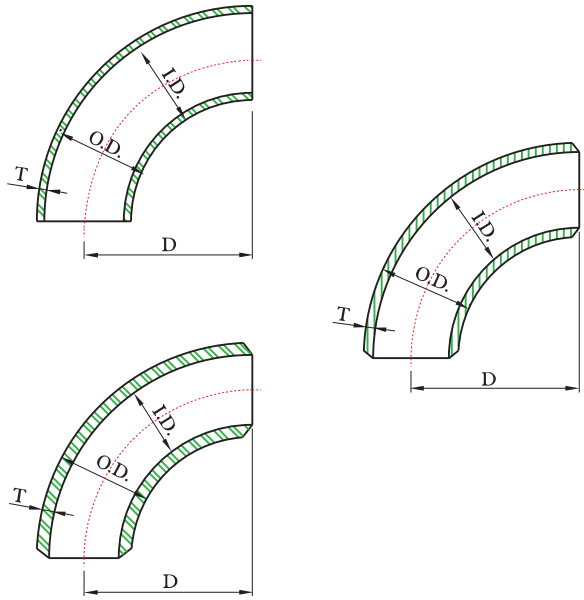
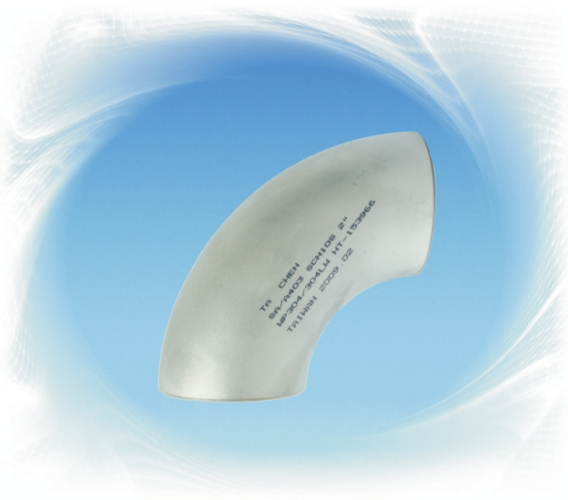




Codos 90° Radio Corto Cédulas 5S/10S/40S



PART H

DIMENSIONES

unit : inch / lb

Nominal pipe size	Outside diameter (O.D.)	Center to face (D)	Schedule 5S			Schedule 10S			Schedule 40S		
			Inside diameter (I.D.)	Wall thickness (T)	Approx. weight **	Inside diameter (I.D.)	Wall thickness (T)	Approx. weight **	Inside diameter (I.D.)	Wall thickness (T)	Approx. weight **
1	1.315	1	1.185	.065	.17	1.097	.109	.23	1.049	.133	.26
1-1/4	1.660	1-1/4	1.530	.065	.31	1.442	.109	.38	1.380	.140	.45
1-1/2	1.900	1-1/2	1.770	.065	.43	1.682	.109	.49	1.610	.145	.63
2	2.375	2	2.245	.065	.63	2.157	.109	.81	2.067	.154	1.13
2-1/2	2.875	2-1/2	2.709	.083	1.25	2.635	.120	1.36	2.469	.203	2.25
3	3.500	3	3.334	.083	1.75	3.260	.120	2.17	3.068	.216	3.31
3-1/2	4.000	3-1/2	3.834	.083	2.35	3.760	.120	3.05	3.548	.226	4.54
4	4.500	4	4.334	.083	3.12	4.260	.120	3.79	4.026	.237	6.88
5	5.563	5	5.345	.109	4.94	5.295	.134	6.12	5.047	.258	11.63
6	6.625	6	6.407	.109	7.75	6.357	.134	9.15	6.065	.280	17.50
8	8.625	8	8.407	.109	15.44	8.329	.148	17.63	7.981	.322	37.60
10	10.750	10	10.482	.134	27.40	10.420	.165	35.00	10.020	.365	63.00
12	12.750	12	12.438	.156	35.00	12.390	.180	40.00	12.000	.375	80.00
14	14.000	14	13.688	.156	44.00	13.624	.188	52.00	13.250	.375	101.00
16	16.000	16	15.670	.165	65.00	15.624	.188	68.00	15.250	.375	131.00
18	18.000	18	17.670	.165	81.00	17.624	.188	86.00	17.250	.375	175.00
20	20.000	20	19.624	.188	107.00	19.564	.218	143.00	19.250	.375	215.00
24	24.000	24	23.564	.218	182.00	23.500	.250	202.00	23.250	.375	302.00