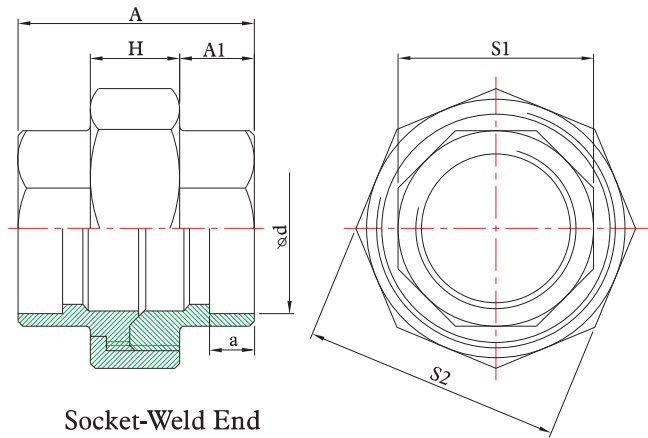
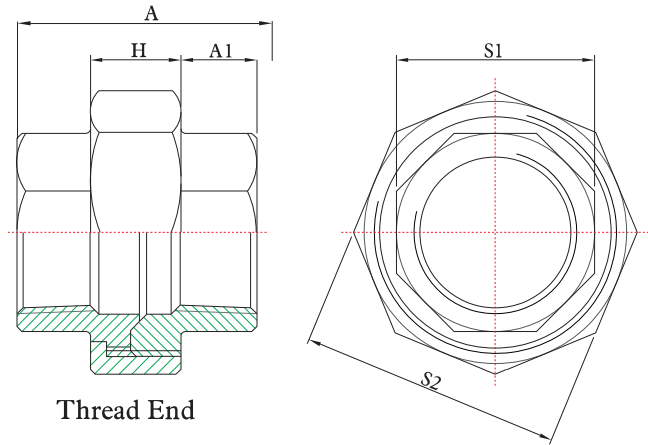
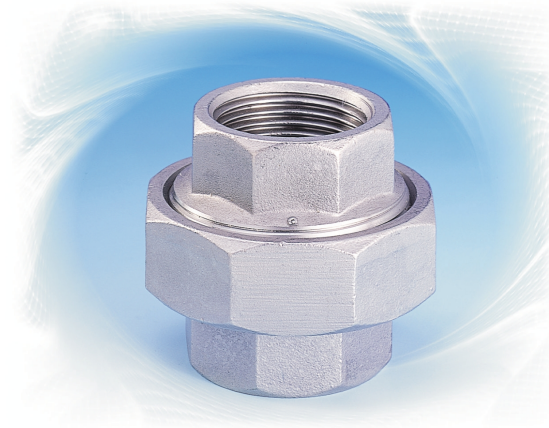




## Unión Hexagonal



### Características

- THREAD: NPT
- CF8 (304) & CF8M (316)

### DIMENSIONES

unit : inch

SIZE	A	A1	H	S1	S2	d	a
1/8"	1.46	0.47	0.59	0.71	1.14	0.39	0.56
1/4"	1.46	0.47	0.59	0.71	1.14	0.39	0.56
3/8"	1.54	0.47	0.63	0.91	1.42	0.39	0.69
1/2"	1.61	0.51	0.59	1.06	1.61	0.39	0.85
3/4"	1.65	0.63	0.63	1.26	1.93	0.51	1.07
1"	2.01	0.67	0.71	1.01	2.28	0.51	1.33
1-1/4"	2.05	0.63	0.83	1.97	2.68	0.51	1.68
1-1/2"	2.20	0.71	0.87	2.20	3.03	0.51	1.92
2"	2.36	0.71	0.71	2.72	3.62	0.63	2.41
2-1/2"	2.95	1.02	1.02	3.35	4.29	0.63	2.91
3"	3.50	1.18	1.18	3.90	4.92	0.63	3.54
4"	3.90	1.26	1.26	4.92	6.14	0.75	4.55