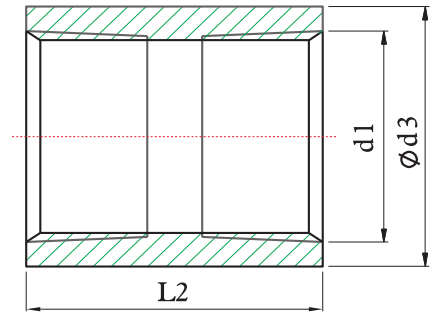
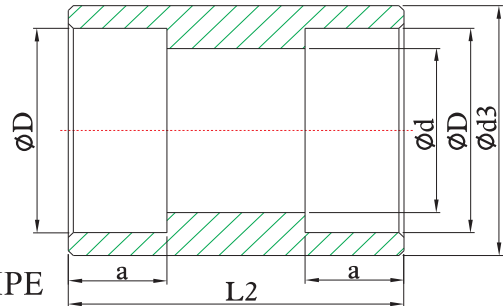




Médios Coples



Thread End



Socket-Weld End

Características

- THREAD: NPT
- CF8 (304) & CF8M (316)
- MADE FROM STAINLESS STEEL WELDED PIPE

DIMENSIONES

unit : inch

| SIZE | Thread End | | | Socket-Weld End | | | | |
|--------|------------|------|------|-----------------|------|------|------|------|
| | d1 | d3 | L2 | d | D | a | d3 | L2 |
| 1/8" | 1/8" | 0.55 | 0.79 | 0.43 | 0.56 | 0.39 | 0.55 | 0.79 |
| 1/4" | 1/4" | 0.73 | 1.06 | 0.43 | 0.56 | 0.39 | 0.73 | 1.06 |
| 3/8" | 3/8" | 0.85 | 1.10 | 0.49 | 0.69 | 0.39 | 0.85 | 1.10 |
| 1/2" | 1/2" | 1.04 | 1.42 | 0.59 | 0.85 | 0.39 | 1.04 | 1.42 |
| 3/4" | 3/4" | 1.26 | 1.54 | 0.79 | 1.07 | 0.51 | 1.26 | 1.54 |
| 1" | 1" | 1.56 | 1.69 | 0.96 | 1.33 | 0.51 | 1.56 | 1.69 |
| 1 1/4" | 1 1/4" | 1.91 | 1.89 | 1.26 | 1.68 | 0.51 | 1.91 | 1.89 |
| 1 1/2" | 1 1/2" | 2.15 | 1.89 | 1.57 | 1.92 | 0.51 | 2.15 | 1.89 |
| 2" | 2" | 2.62 | 2.20 | 2.00 | 2.41 | 0.63 | 2.62 | 2.20 |
| 2 1/2" | 2 1/2" | 3.31 | 2.56 | 2.56 | 2.91 | 0.63 | 3.31 | 2.56 |
| 3" | 3" | 3.94 | 2.80 | 3.15 | 3.54 | 0.63 | 3.94 | 2.80 |
| 4" | 4" | 5.08 | 3.27 | 3.94 | 4.55 | 0.75 | 5.08 | 3.27 |
| 5" | 5" | 6.36 | 3.54 | - | - | - | - | - |
| 6" | 6" | 7.28 | 3.96 | - | - | - | - | - |