

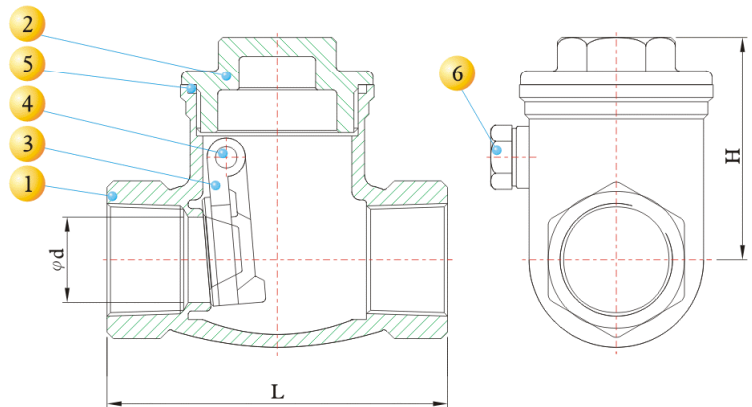


DESIGN FEATURES:

- Swing Type
- Body: ASTM A351 Gr.CF8M
- Disc: ASTM A351 Gr.CF8M
- Packing: PTFE.
- Working Pressure: 200 psi
- End Connections: Threaded End
- Threaded Type:
ANSI B1.20.1 (NPT)
DIN 259/DIN 2999
ISO 228
BSP
PT

MATERIALS LIST

NO.	PART NAME	MATERIAL	QTY
1	BODY	ASTM A351 Gr.CF8M	1
2	CAP	ASTM A351 Gr.CF8M	1
3	DISC	ASTM A351 Gr.CF8M	1
4	HINGE PIN	SS316	1
5	GASKET	PTFE	1
6	PLUG	SS316	1



DIMENSIONS

SIZE		d		L		H		Weight	
inch	mm	inch	mm	inch	mm	inch	mm	Kg	Lb
1/4"	8	0.39	10	2.56	65.0	1.77	45	0.33	0.73
3/8"	10	0.47	12	2.56	65.0	1.77	45	0.31	0.68
1/2"	15	0.59	15	2.60	66.0	1.81	46	0.29	0.64
3/4"	20	0.79	20	3.19	81.0	2.13	54	0.49	1.08
1"	25	0.98	25	3.58	91.0	2.36	60	0.69	1.52
1 1/4"	32	1.26	32	4.19	106.5	2.83	72	1.05	2.32
1 1/2"	40	1.57	40	4.76	121.0	2.95	75	1.58	3.48
2"	50	1.97	50	5.59	142.0	3.23	82	2.34	5.16
2 1/2"	65	2.56	65	6.26	159.0	3.54	90	3.80	8.38
3"	80	3.15	80	7.48	190.0	4.09	104	5.90	13.01